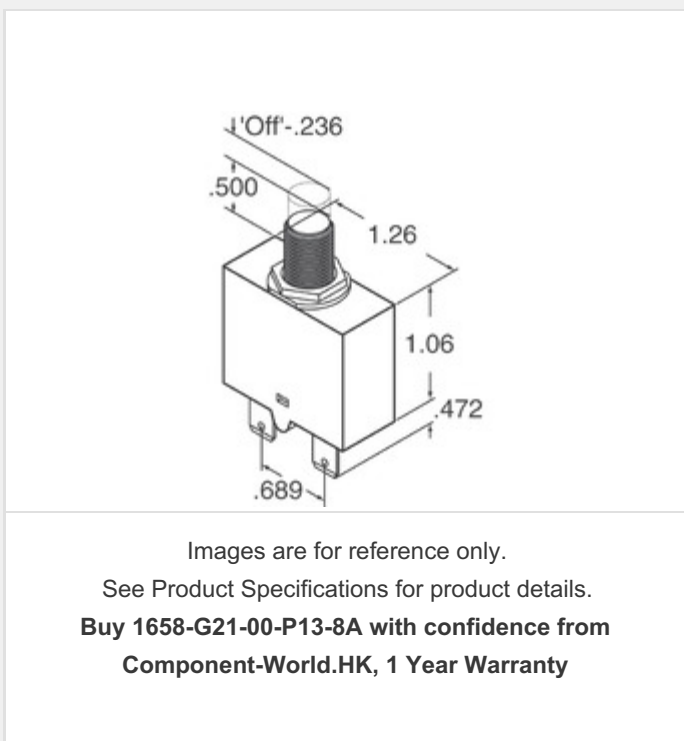


1658-G21-00-P13-8A



Part Number: [1658-G21-00-P13-8A](#)
Manufacturer: [E-T-A](#)
Description: CIR BRKR THRM 8A 240VAC 28VDC
Data sheet: [1658-G21,A00-xx-P\(10,13\)-xx Series](#)

RoHs Status: Lead free / RoHS Compliant
Ship From: Hong Kong
Shipment Way: DHL/Fedex/TNT/UPS/EMS

[Request For Quotation](#)

PRODUCT PARAMETER			
Part Number	1658-G21-00-P13-8A	Manufacturer	E-T-A
Description	CIR BRKR THRM 8A 240VAC 28VDC	Lead Free Status / RoHS Status	Lead free / RoHS Compliant
Quantity Available	37944 pcs	Data sheet	1658-G21,A00-xx-P(10,13)-xx Series
Category	Circuit Protection	Voltage Rating - DC	28V
Voltage Rating - AC	240V	Series	1658
Number of Poles	1	Mounting Type	Panel Mount
Moisture Sensitivity Level (MSL)	1 (Unlimited)	Manufacturer Standard Lead Time	9 Weeks
Lead Free Status / RoHS Status	Lead free / RoHS Compliant	Illumination Voltage (Nominal)	-
Illumination	-	Current Rating	8A
Breaker Type	Thermal	Actuator Type	Push to Reset

Component-World.com is a Reliable Stocking Distributor of Electronic Components. We specialize in all E-T-A series electronic components. We have 37944 pieces of E-T-A 1658-G21-00-P13-8A in stock available now. Request a quote from electronics components distributor at Component-World.com, our sales team will contact you within 24 hours. RFQ Email: info@Components-World.com

RELATED PRODUCTS			
	Part#: 1658-G21-00-P10-D01-7A Description: CIR BRKR THRM 7A 240VAC 28VDC	Manufacturers: E-T-A	RFQ
	Part#: 1658-G21-00-P13-D01-20A Description: CIR BRKR THRM 20A 240VAC 28VDC	Manufacturers: E-T-A	RFQ
	Part#: 1658-G21-00-S83-055801-10A Description: CIR BRKR THRM 10A 240VAC 28VDC	Manufacturers: E-T-A	RFQ
	Part#: 1658-G21-00-P13-10A Description: CIR BRKR THRM 10A 240VAC 28VDC	Manufacturers: E-T-A	RFQ
	Part#: 1658-G21-00-P13-D01-10A Description: CIR BRKR THRM 10A	Manufacturers: E-T-A	RFQ
	Part#: 1658-G21-00-S80-20A Description: CIR BRKR THRM 20A 240VAC 28VDC	Manufacturers: E-T-A	RFQ
	Part#: 1658-G21-00-P13-055800-8A Description: CIR BRKR THRM 8A 240VAC/28VDC	Manufacturers: E-T-A	RFQ
	Part#: 1658-G21-00-P13-20A Description: CIR BRKR THRM 20A 240VAC/28VDC	Manufacturers: E-T-A	RFQ
	Part#: 1658-G21-00-P10-D01-5A Description: CIR BRKR THRM 5A 240VAC 28VDC	Manufacturers: E-T-A	RFQ
	Part#: 1658-G21-00-S80-15A Description: CIR BRKR THRM 15A	Manufacturers: E-T-A	RFQ
	Part#: 1658-G21-00-P10-D01-30A Description: CIR BRKR THRM 30A 240VAC 28VDC	Manufacturers: E-T-A	RFQ
	Part#: 1658-G21-00-S80-30A Description: CIR BRKR THRM 30A 240VAC 28VDC	Manufacturers: E-T-A	RFQ
	Part#: 1658-G21-00-S83-055800-20A Description: CIR BRKR THRM 20A 240VAC/28VDC	Manufacturers: E-T-A	RFQ
	Part#: 1658-G21-00-P13-15A Description: CIR BRKR THRM 15A 240VAC 28VDC	Manufacturers: E-T-A	RFQ
	Part#: 1658-G21-00-S83-055801-20A Description: CIR BRKR THRM 20A	Manufacturers: E-T-A	RFQ
	Part#: 1658-G21-00-P13-6A Description: CIR BRKR THRM 6A 240VAC 28VDC	Manufacturers: E-T-A	RFQ
	Part#: 1658-G21-00-P10-D04-8A Description: CIR BRKR THRM 8A 240VAC 28VDC	Manufacturers: E-T-A	RFQ
	Part#: 1658-G21-00-S83-055801-15A Description: CIR BRKR THRM 15A	Manufacturers: E-T-A	RFQ
	Part#: 1658-G21-00-P10-D01-25A Description: CIR BRKR THRM 25A 240VAC 28VDC	Manufacturers: E-T-A	RFQ
	Part#: 1658-G21-00-S80-8A Description: CIR BRKR THRM 8A 240VAC 28VDC	Manufacturers: E-T-A	RFQ

Related keywords for **1658-G21-00-P13-8A**

E-T-A 1658-G21-00-P13-8A	1658-G21-00-P13-8A distributor	1658-G21-00-P13-8A supplier	1658-G21-00-P13-8A price
1658-G21-00-P13-8A download datasheet	1658-G21-00-P13-8A datasheet	1658-G21-00-P13-8A stock	buy 1658-G21-00-P13-8A
E-T-A 1658-G21-00-P13-8A			